

Model Name : HPT-20/25/30

Product Name:

Hand Pallet Truck(Load:2 Tons/2.5 Tons/3 Tons)

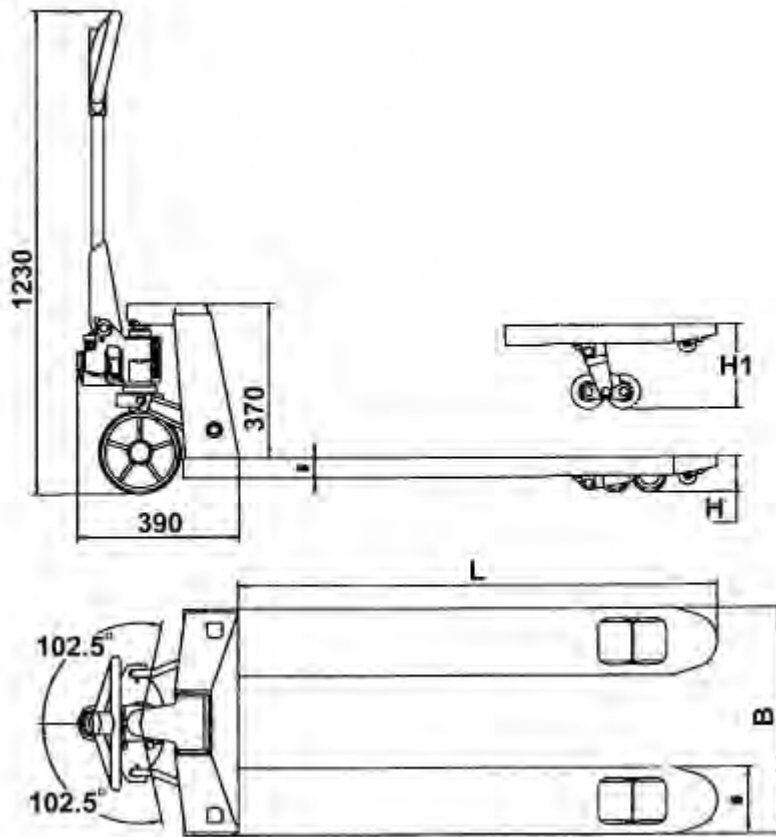
Product Description:

- Load 2000 kg or 3000 kg, lifting lightweight, high hydraulic cylinders, durable non-oil
- High texture paint the entire vehicle.
- The use of one piece fork, durable without bending, the tough ductile iron wheel frame, axis of rotation at a self-lubricating effect, high-quality PU wheel fork, so that the body starting resistance is small, light and quiet to walk, injury floor, double wheel design is more suitable for high load and uneven pavement.
- Hydraulic system features a unique circuit and structure, so that hydraulic pump even more robust, and durable. While the fixed seal design, can be completely closed to prevent leakage and to achieve the effect, coupled with specific buffer design, the user can freely control the degree of decline.
- Safe operation of a simple lever eliminating the trouble of training, this manual has a rose design, positioning, decreased function device.

ITEM		Standard	Option
Fork Height	lowered(H1)	85mm	76mm
	lifted(H2)	200mm	190mm
Fork Wheels		φ 82mm x 70mm	φ 76mm x 93mm
No. of Fork Wheels		2pcsx2	1 pcx2
Steer Wheels		φ 180mm x 50mm	φ 180mm x 50mm
Wheel Material		Steel Covered By Poly-urethane	Steel Covered By Nylon
Service Weight		95 kg	
Fork Thickness		45 mm	



There is no special operation training required. The spring-loaded loop handle provides easy operation and automatically returns to vertical position when released. Neutral allows the operator to handle load at the most convenient angle.



Model	Overall Width(A)	Fork Length (L)	Inner Width(B)
HPT-NS	520mm	910mm	200mm
HPT-NM	520mm	1070mm	200mm
HPT-WM	685mm	1070mm	365mm
HPT-WL	685mm	1220mm	365mm